

FAG

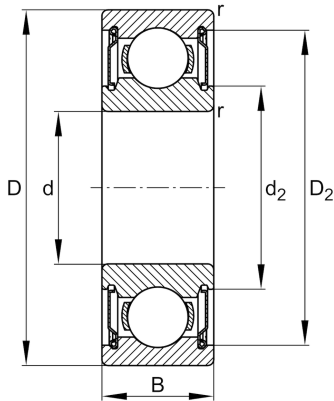
6000-H-2Z

Deep groove ball bearing

Schaeffler ID:
0938739210000

Deep groove ball bearing 60..-H-2Z, single row, H-Series, shields, steel sheet metal cage

Technical information

**Main Dimensions & Performance Data**

d	10 mm	Bore diameter
D	26 mm	Outside diameter
B	8 mm	Width
C_r	4.750 N	Basic dynamic load rating, radial
C_{0r}	1.960 N	Basic static load rating, radial
C_{ur}	114 N	Fatigue load limit, radial
n_G	34.500 1/min	Limiting speed
n_{gr}	27.500 1/min	Reference speed
	0,02 kg	Weight

Dimensions

r_{min}	0,3 mm	Minimum chamfer dimension
D_2	22,7 mm	Caliber diameter outer ring
d_2	13,5 mm	Caliber diameter inner ring

Mounting dimensions

$d_{a min}$	12 mm	Minimum diameter shaft shoulder
$D_{a max}$	24 mm	Maximum diameter of housing shoulder
$r_{a max}$	0,3 mm	Maximum fillet radius

Calculation factors

f_0	12,3	Calculation factor
-------	------	--------------------

Temperature range

T_{min}	-20 °C	Operating temperature min.
T_{max}	120 °C	Operating temperature max.

